

Compact Loader



ER412 can working in both agricultural environment and construction environment depending to its special heavy duty design especially the articulation. Comfortable, safe and powerful are the features of ER412.



MODEL: EVERUN - ER412

- **CUMMINS QSF2.8(48KW,TIER4) ENGINE, ITALY HYDROSTATIC**
- **DRIVING SYSTEM, INCHING FUNCTION, QUICK HITCH**
- **ENGINE, ROPS & FOPS CABIN, LUXURY CABIN INTERIOR,**
- **STANDARD BUCKET, QUICK HITCH, ELECTRIC JOYSTICK,**
- **COMFORTABLE SEAT, ADJUSTABLE STEERING WHEEL,**
- **130W HEATER, 23.5/70-16**
- **LOADER DAMPER**
- **LOADING WEIGHTER**
- **LED WORKING LIGHT**
- **LOADING WEIGHTER**
- **BOBCAT QUICK HITCH**
- **AIR SEAT WITH AIR PUMP**
- **AIR CONDITIONER**
- **33*15.5-16.5 GRASS TIRES**

Nationwide Distribution From

Los Angeles Location

27788 Hancock Parkway
Valencia, CA 91355

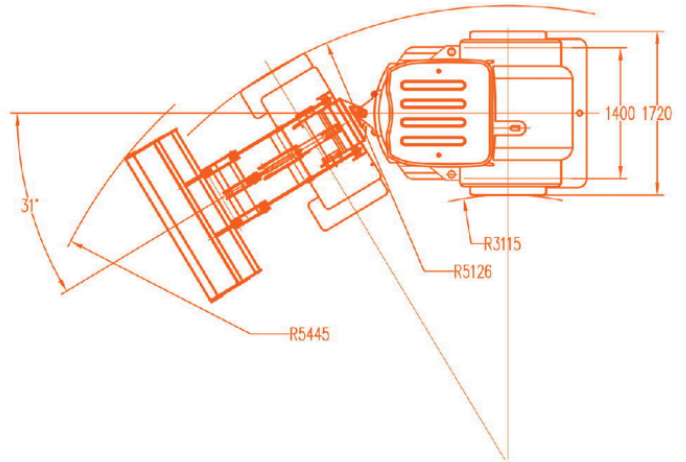
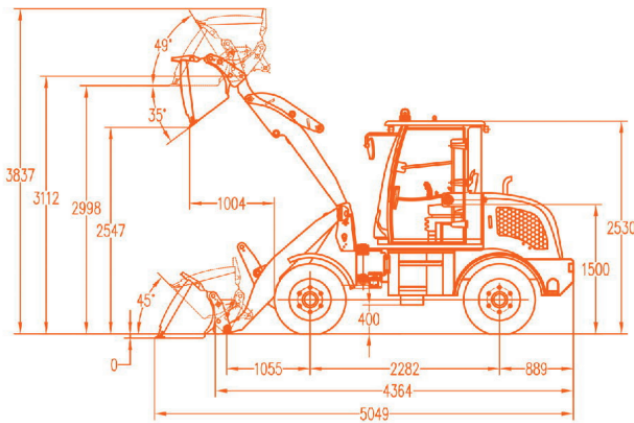
Chicago Location

257 Commonwealth Dr.
Carol Stream, IL 60188



Product Information: ER412

Technical Parameter



Bucket Capacity	0.53m3
Loading Capacity	1200kg
Max. Driving Speed(I/II)	10/22km/h
Fuel Consumption Ration	235g/km·h
Engine Model	Xinchai 490
Engine Power	36.8kw
Service Brake	Four Wheel Hydraulic Spread-Shoed Brake

Net Weight	3300kg
Lifting Time	7s
Working Pressure	17mpa
Wheel Base	2282mm
Breakout Force	28kn
Tyre	20.5/70-16
Oil Flow	66L/min
Rated Speed	2650r/min



Nationwide Distribution From

Los Angeles Location
 27788 Hancock Parkway
 Valencia, CA 91355

Chicago Location
 257 Commonwealth Dr.
 Carol Stream, IL 60188