

Compact Loaders



ER406 is a mini-wheel loader known for its compact design and maneuverability. This machine is perfectly suited for various types of projects, including use in small spaces as it has a width of 1.15m. The ER406 is equipped with a ROPS/FOPS-approved safety roof



MODEL: EVERUN - ER406

- **KUBOTA1105 EURO5/EPA4 ENGINE, ITALY HYDROSTATIC DRIVING SYSTEM, INCHING FUNCTION, QUICK HITCH**
- **AMERICAN EATON PUMP**
- **226*12-12 AGRICULTURAL TIRES**
- **SEAT**
- **ADJUSTABLE STEERING WHEEL**
- **ELECTRICAL JOYSTICK with FLOATING FUNCTION**
- **PRESSURE CHECKING SYSTEM.**
- **ENCLOSED CABIN**
- **LED WORKING LIGHT**
- **BOBCAT QUICK HITCH**
- **EVERUN ARTICULATED OSCILLATING FLOATING JOINT**

Nationwide Distribution From

Los Angeles Location

27788 Hancock Parkway
Valencia, CA 91355

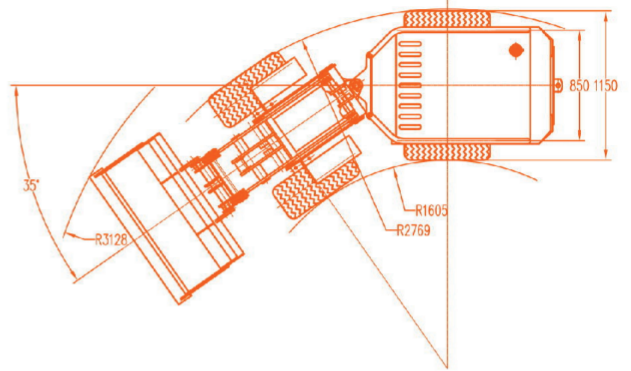
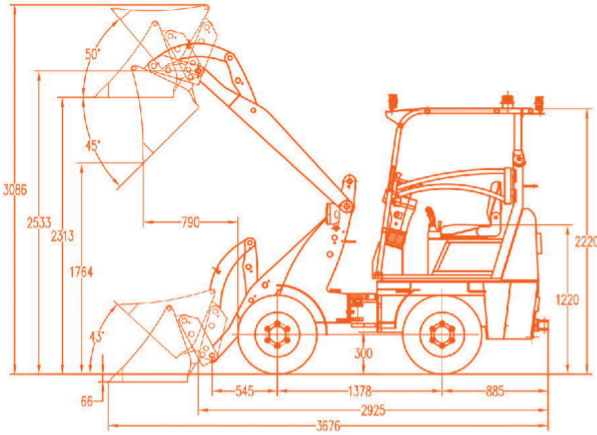
Chicago Location

257 Commonwealth Dr.
Carol Stream, IL 60188



Product Information: ER406

Technical Parameter



Bucket Capacity	0.26m ³
Loading Capacity	600kg
Max. Driving Speed(I/II)	12km/h
Fuel Consumption Ration	257g/km·h
Engine Model	Yanmar 3TNV88-BSSY
Engine Power	19.6kw
Service Brake	Four Wheel Hydraulic Spread-Shoed Brake

Net Weight	1700kg
Lifting Time	≤8.0s
Working Pressure	17mpa
Wheel Base	1378mm
Breakout Force	13kn
Tyre	26*12-12
Oil Flow	28L/min
Rated Speed	2200r/min



Nationwide Distribution From

Los Angeles Location

27788 Hancock Parkway
Valencia, CA 91355

Chicago Location

257 Commonwealth Dr.
Carol Stream, IL 60188

