





ER2500 TELESCOPIC WHEEL LOADER 4WD

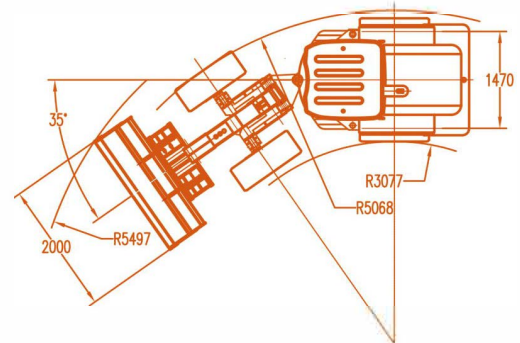
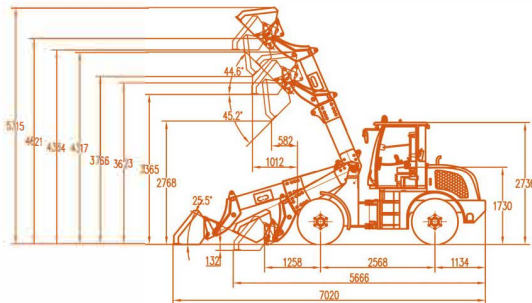
Standard Configuration

Standard Bucket, Xichai 4DX21-72 Engine, Torque Converter Transmission System, Rops & Fops Cabin, Electric Joystick, Quick Hitch, Tipping Cabin, Adjustable Steering Wheel, Comfortable Seat, Cabin Heater, Backward Camera, Hydraulic-Pressure Checking System, Engine Heater, Wheel-Reducer Axle, 16/70-20 Agricultural Tyres, Lock for Lifting and Steering Cylinder, Parallel Linkage System, Free Service Spare Parts.

Optional Configuration

Hydraulic Joystick, Air Conditioner, LED Light, E4 Lamp, Varta Anti-Freeze Battery, Tyre Chain, Three-Point Hitch, Loading Damper, Hydraulic Joyatick, Centralized Lubrication System, Loader Weighter, 5 Functions Electric Joystick, Kohler 2504TCR Engine(EPA4), Cummins QSF2.8 Engine(EPA4), Yanmar 4TNV98CT Engine(EPA4 Euro3B), Xinchai Engine(Euro3B), Different Attachments.

Technical Parameters



Bucket Capacity	0.8m ³	Net Weight	5500kg
Loading Capacity	2500kg	Lifting Time	7s
Max. Driving Speed(I/II)	9/21km/h	Working Pressure	17mpa
Fuel Consumption Ration	240g/km·h	Wheel Base	2568mm
Engine Model	XICHA1 4DX21-72	Breakout Force	30kn
Engine Power	53kw	Tyre	16/70-20
Rated Speed	2400r/min	Oil Flow	85L/min
Service Brake	Air Assist Disc Brake On 4 Wheels		

